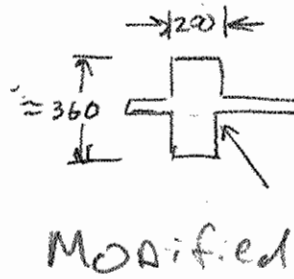
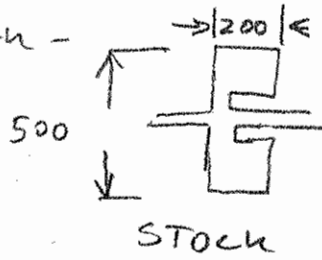


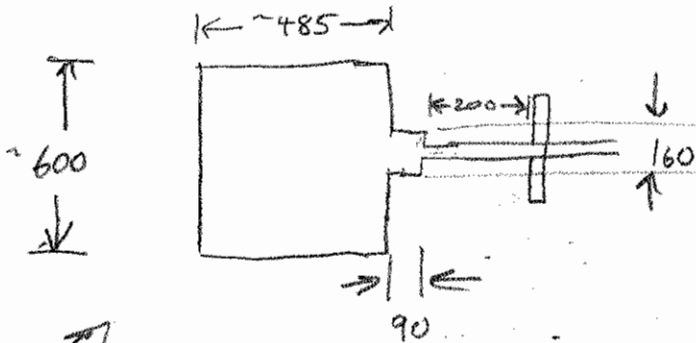
From Page No. _____

1) input Network -

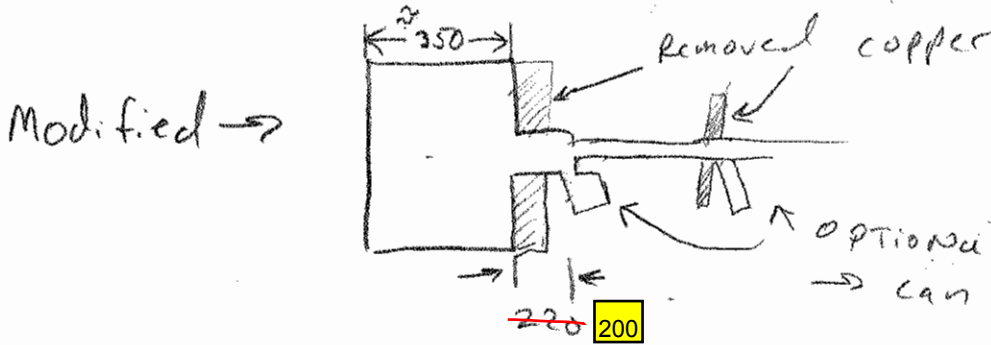


Bridge gaps with copper foil

2) output Network



STOCK

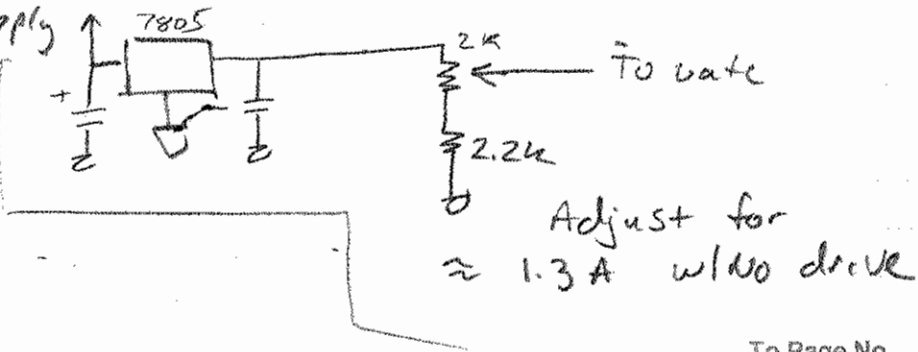


Modified

Notes:
 - These are not optimal, but they are simple and seem to yield good results. Please let me know of improved mods if you find them. I have not done significant linearity testing, just empirically messed around with these mods to yield maximum output power.
 - All dimensions in mils.

3) Cheezy Bias ckt

- +26/28V Drain supply



4) These mods are for single MRF 19125 STAGES - Not using Driver or Isolator!

WS2B

To Page No. _____

Witnessed & Understood by me, _____

Date 10/25/2003

Invented by _____
Recorded by LL

Date _____